

Product type

BRV-131

Rev. 3. 05/16

Variable Area Flowmeter

- Housing in stainless steel
- Borosilicate glass
- Only 4 Sealing rings
- Service kind construction
- Limit switches (Options)
- Chip guard

Operating principle

The measuring element is composed of a float and a conical glass tube.

A medium flows from the bottom to the top through the measuring ring, lifting the float until the buoyancy force and the weight of the float establish equilibrium. The height of the float in the measuring ring is the measure of the flow. The flow rate is read directly from a scale inscribed on the glass.

The readings obtained apply solely to the medium for which the device has been calibrated or for a medium with the same density and viscosity.

Applications

The BRV-131 metering device is used for flow metering, dosing, monitoring, and control of liquid and gas media in pipes. The scale on the device shows the flow rate expressed as volume or mass per unit of time.

Applications: flow metering, dosing, monitoring, and control of liquid and gas media.

- The device can be fitted with up to two limit switches for purposes of process monitoring.



Measuring ranges

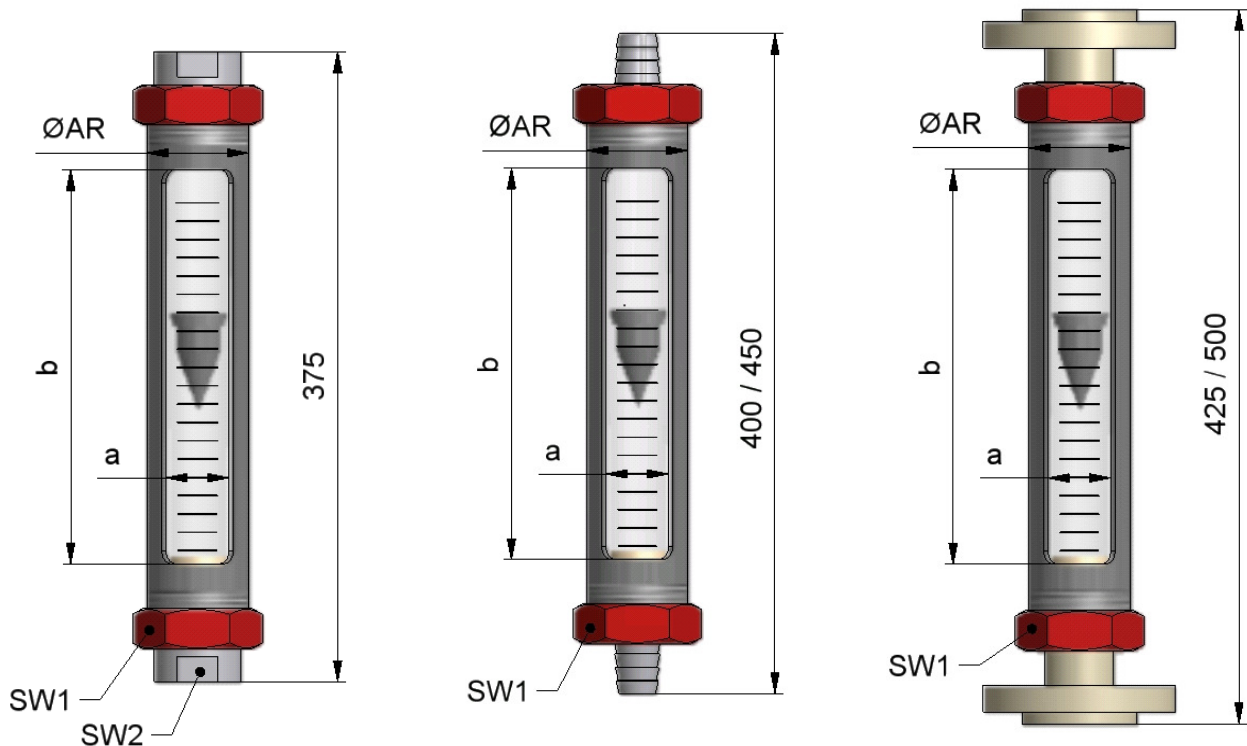
Liquids

BRV-131	Connection Sizes <u>Standard</u>	Ranges acc. Range code	Pressure loss mbar(psi)	Float 1.4571 c/w and w/o guiding	Float 1.4571+ magnet	Float 1.4571 - viscosity stable	Float PVDF weighted w. magnet	
				Standard ranges for liquids - l/h - (p=1kg/l(62,43 lb/cu.ft), viscosity 1 mPas(1cp)) (turndown ratio 1:10)				
S 04	G 1/4" 3/8" <u>1/2"</u>	B1	10 (0,145)	3 - 30	-	-	1,1 - 11	
		B2		4 - 40	-	-	1,5 - 15	
		B3		5 - 50	-	-	2 - 20	
		B4		6,5 - 65	-	-	2,5 - 25	
		B5		8 - 80	-	-	3,2 - 32	
		B6		10 - 100	-	-	4 - 40	
S 05	G 1/4" 3/8" <u>1/2"</u>	C1	20 (0,290)	12,5 - 12512 - 12010	1006,5 - 65			
		C2		16 - 160	15 - 150	12,5 - 125	9 - 90	
		C3		20 - 200	18 - 180	16 - 160	11 - 110	
		C4	40 (0,580)	25 - 250	24 - 240	20 - 200	14 - 140	
		C5		31,5 - 315	30 - 300	24 - 240	17,5 - 175	
		C6		40 - 400	36 - 360	30 - 300	22 - 220	
		C7		50 - 500	48 - 480	36 - 360	25 - 250	
S 06	G 1/2" 3/4" <u>1"</u>	D1	19 (0,280)	40 - 400	40 - 400	-	32 - 320	
		D2		65 - 650	60 - 600	40 - 400	50 - 500	
		D3		80 - 800	75 - 750	50 - 500	60 - 600	
		D4		100 - 1000	95 - 950	60 - 600	75 - 750	
		D5		120 - 1200	120 - 1200	75 - 750	100 - 1000	
		D6	24 (0,350)	160 - 1600	150 - 1500	100 - 1000	125 - 1250	
		D7		200 - 2000	180 - 1800	120 - 1200	160 - 1600	
		D8		33 (0,480)	250 - 2500	240 - 2400	140 - 1400	200 - 2000
		D9			300 - 3000	280 - 2800	180 - 1800	240 - 2400
S 07	G 1" 1 1/4" 1 1/2" <u>2"</u>	E1	25 (0,360)	400 - 4000	380 - 3800	250 - 2500	320 - 3200	
		E2		500 - 5000	480 - 4800	300 - 3000	380 - 3800	
		E3		650 - 6500	640 - 6400	400 - 4000	500 - 5000	
		E4		800 - 8000	750 - 7500	450 - 4500	640 - 6400	
		E5		1000 - 10000	950 - 9500	550 - 5500	750 - 7500	

Gases

BRV-131	Connection Sizes <u>Standard</u>	Ranges acc. Range code	Pressure loss mbar(psi)	Float Aluminum c/w and w/o guiding	Float Aluminum + magnet	Float PVDF	Float PVDF weighted w. magnet	
				Standard ranges for air - NI/h - (Pabs =1,013 bar(14,69psi) at T= 20°C(68° F), p=1,293kg/m³, V=0,0181 mPas) (Turndown ratio 1:10)				
S 04	G 1/4" 3/8" <u>1/2"</u>	B1	4 (0,058)	5 - 500	-	36 - 360	-	
		B2		65 - 650	-	50 - 500	-	
		B3		80 - 800	-	65 - 650	-	
		B4		110 - 1100	-	80 - 800	-	
		B5		140 - 1400	-	100 - 1000	-	
		B6		160 - 1600	-	125 - 1250	-	
S 05	G 1/4" 3/8" <u>1/2"</u>	C1	40 (0,580)	200 - 2000	250 - 2500	150 - 1500	200 - 2000	
		C2		300 - 3000	320 - 3200	200 - 2000	300 - 3000	
		C3		360 - 3600	400 - 4000	250 - 2500	360 - 3600	
		C4		400 - 4000	500 - 5000	300 - 3000	450 - 4500	
		C5		500 - 5000	640 - 6400	360 - 3600	600 - 6000	
		C6		640 - 6400	800 - 8000	500 - 5000	700 - 7000	
		C7		800 - 8000	1000 - 10000	550 - 5500	950 - 9500	
S 06	G 1/2" 3/4" <u>1"</u>	D1	19 (0,280)	750 - 7500	850 - 8500	520 - 5200	750 - 7500	
		D2		1000 - 10000	1200 - 12000	800 - 8000	1000 - 10000	
		D3		1300 - 13000	1500 - 15000	900 - 9000	1300 - 13000	
		D4		1600 - 16000	2000 - 20000	1200 - 12000	1600 - 16000	
		D5		2000 - 20000	2400 - 24000	1500 - 15000	2000 - 20000	
		D6	24 (0,350)	2800 - 28000	3200 - 32000	2000 - 20000	2800 - 28000	
		D7		3600 - 36000	4000 - 40000	2500 - 25000	3600 - 36000	
		D8		33 (0,480)	4000 - 40000	5000 - 50000	3000 - 30000	4000 - 40000
		D9			5000 - 50000	6000 - 60000	3600 - 36000	5000 - 50000
S 07	G 1" 1 1/4" 1 1/2" <u>2"</u>	E1	25 (0,360)	6400 - 64000	7500 - 75000	5000 - 50000	6400 - 64000	
		E2		8000 - 80000	10000 - 100000	6500 - 65000	8000 - 80000	
		E3		10000 - 100000	12500 - 125000	8000 - 80000	10000 - 100000	
		E4		14000 - 140000	15000 - 150000	10000 - 100000	14000 - 140000	
		E5		16000 - 160000	18000 - 180000	12500 - 125000	16000 - 160000	

Construction details



BRV-131 Model	Body					Connection			
	Ø AR	a	b	SW1	SW2	Female thread	Hose connector	Bonded connection	Flange
S04 S05	Ø 33.7	19	235	39	24	G / NPT 3/4", 3/8", 1/2"	<u>Ø 13</u> , Ø 19	DN 15 d = 20 mm	DN 10/ <u>15</u> /20/25 PN 40 ASME 3/8", 1/2", 5/8", 1" 150 lb
S06	Ø 60.3	38	235	67	46	G / NPT 3/4", 1", 1.1/4"	Ø 19, <u>Ø 25</u> , Ø 38	DN 32 d = 40 mm	DN <u>25</u> /40 PN 40 ASME 1", 1.1/2" 150 lb
S07	Ø 88.9	58	235	100	65	G / NPT 1.1/4", 1.1/2", 2"	Ø 38, <u>Ø 50</u>	DN 50 d = 63 mm	DN 40/ <u>50</u> PN 40 DN 65 PN 16 ASME 1.1/2", 2" 150lb ASME 2.1/2" 60lb

Standard connections are underlined